



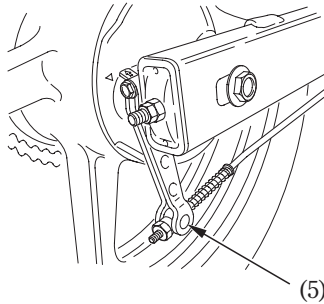
3. Apply the brake several times and check for free wheel rotation after the brake pedal is released.

**NOTE:**

- \* Make sure the cut-out on the adjusting nut is seated on the brake arm pin (5) after making final free play adjustment.
- \* If proper adjustment cannot be obtained by this method see your Honda dealer.

Other Checks:

Make sure the brake arm, brake rod, spring and fasteners are in good condition.



(5) Brake arm pin  
**22**

