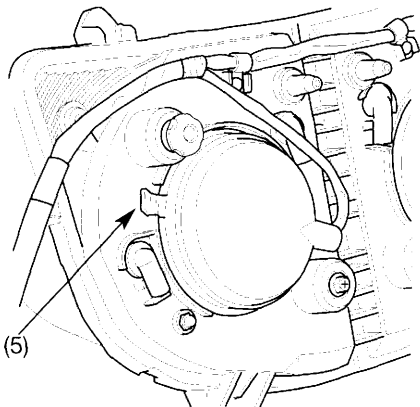


6. Replace with a new bulb, following the removal procedure in reverse order.

NOTE:

- Fit the dust cover ensuring the tab (5) is correctly aligned with its location.



(5) Dust cover tab