

## HELMET HOLDER

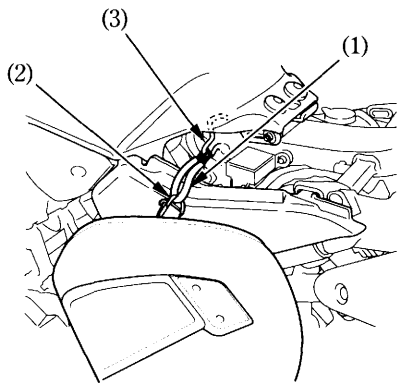
The helmet holder is located below the seat. Remove the seat (page 54 ). Route either end of the helmet holder wire (1) through the helmet's D-ring (2). Hook the loops of the wire onto the helmet holder (3) and lower the seat to lock. The helmet holder wire is furnished in the tool kit.

Remove the helmet holder wire and store it in the tool bag when it is not used.

### **⚠ WARNING**

Riding with a helmet attached to the holder can interfere with the rear wheel or suspension and could cause a crash in which you can be seriously hurt or killed.

Use the helmet holder only while parked. Do not ride with a helmet secured by the holder.



- (1) Helmet holder wire
- (2) D-ring
- (3) Helmet holder