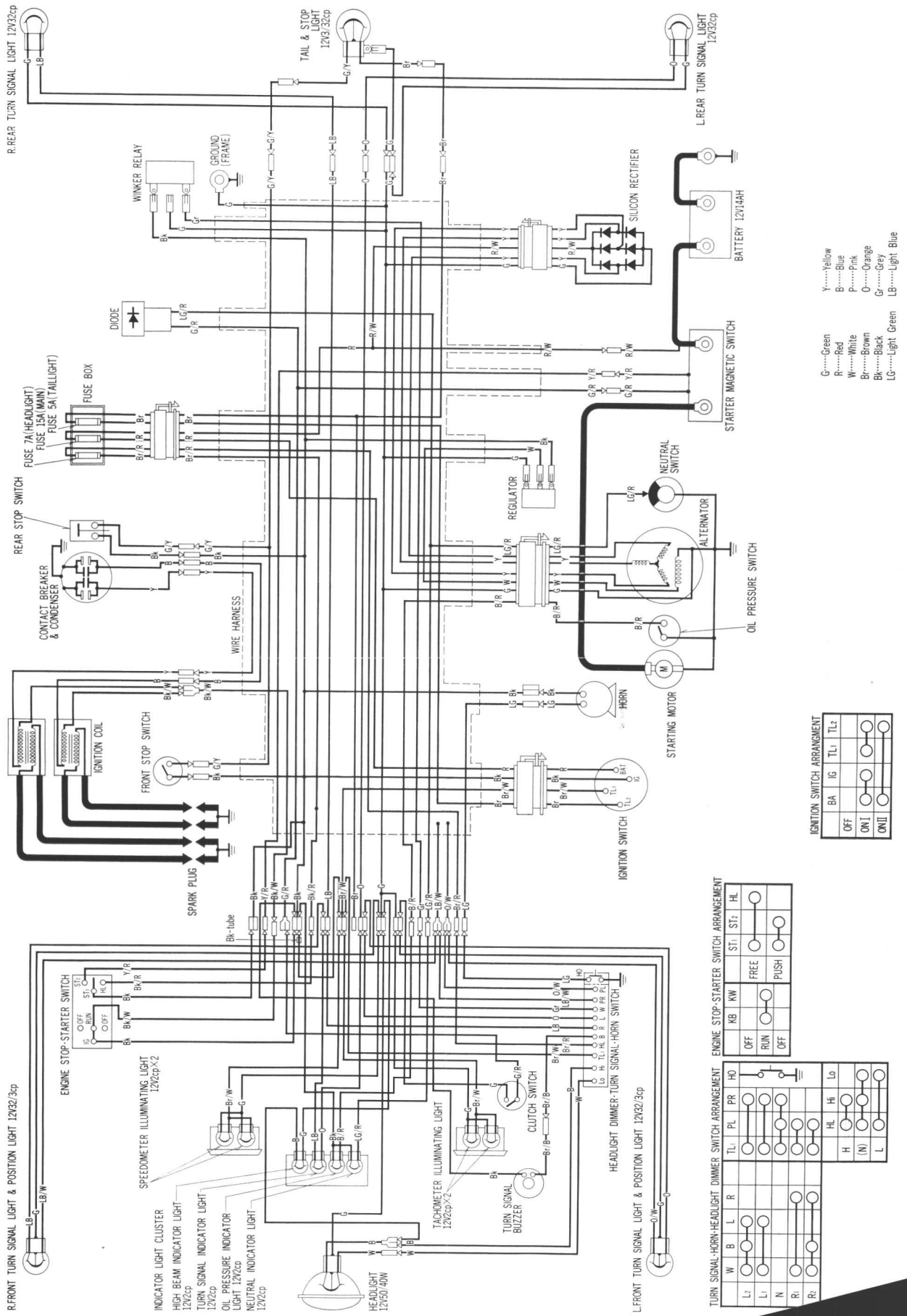


CB750 WIRING DIAGRAM



- Y.....Yellow
- G.....Green
- B.....Blue
- R.....Red
- W.....White
- P.....Pink
- O.....Orange
- Br.....Brown
- Bk.....Black
- Gr.....Grey
- LG.....Light Green
- LB.....Light Blue

IGNITION SWITCH ARRANGEMENT

	BA	IG	TL1	TL2
OFF				
ON I				
ON II				

ENGINE STOP-STARTER SWITCH ARRANGEMENT

	KB	KW	ST1	ST2	HL
OFF					
RUN					
FREE					
PUSH					

TURN SIGNAL-HORN-HEADLIGHT DIMMER SWITCH ARRANGEMENT

	W	B	L	R	TL1	PL	PR	HO	HL	H	Lo
L2											
L1											
N											
R1											
R2											