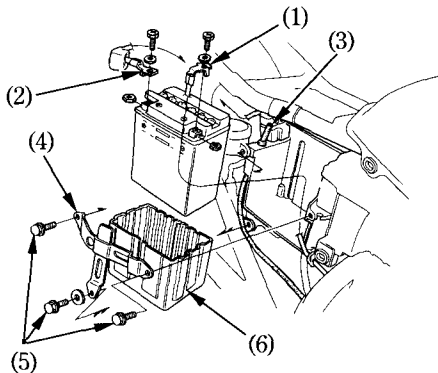


CAUTION:

* When the motorcycle is to be stored for an extended period of time, remove the battery from the motorcycle and charge it fully. Then store it in a cool, dry place. If the battery is to be left in the motorcycle, disconnect the negative cable from the battery terminal.

Battery Removal:

1. Remove the right side cover (page 33).
2. Disconnect the negative (-) terminal lead (1) from the battery first, then disconnect the positive (+) terminal lead (2).
3. Disconnect the battery breather tube (3).
4. Remove the battery holder (4) by removing the three bolts (5).
5. Pull out the battery box (6) and remove the battery.



- (1) Negative (-) terminal lead
- (2) Positive (+) terminal lead
- (3) Battery breather tube
- (4) Battery holder
- (5) Bolts
- (6) Battery box