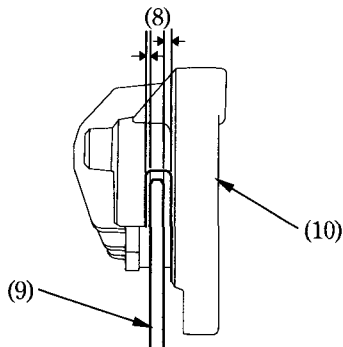


Measure the clearance (8) between each surface of the left brake disc (9) and the left caliper holder (10) with a 0.7 mm (0.028 in) feeler gauge (11) (see illustration).

If the gauge inserts easily, tighten the right and left axle pinch bolt (3) to the specified torque.

Axle pinch bolt torque:

22 N·m (2.2 kgf·m , 16 lbf·ft)

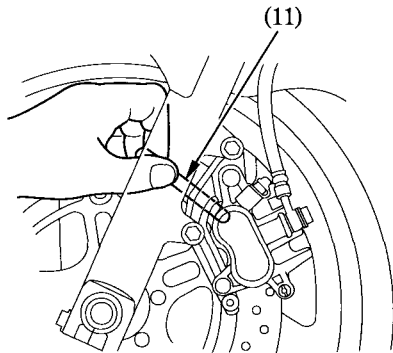


(8) Clearance
(9) Brake disc

(10) Caliper holder

▲WARNING

*** If a torque wrench was not used for installation, see your Honda dealer as soon as possible to verify proper assembly. Improper assembly may lead to loss of braking capacity.**



(11) Feeler gauge