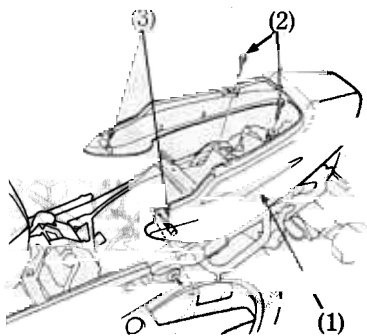


SEAT COWL

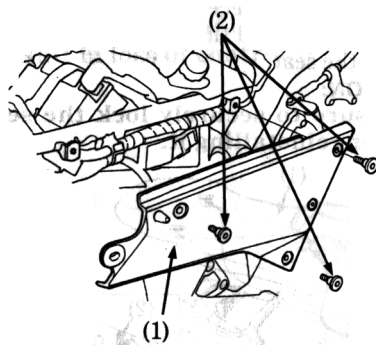
The seat cowl (1) must be removed to add the rear brake fluid. To remove the seat cowl, remove the seat (page 37) and mounting bolts (2), pull out both side cowl tabs (3). Slide the cover upward.



- (1) Seat cowl
- (2) Mounting bolts
- (3) Tabs

SIDE COVER

The side cover (1) must be removed for the fuse maintenance. To remove the side cover, remove the seat cowl and three mounting bolts (2).



- (1) Side cover
- (2) Mounting bolts

OPERATION

PRE-RIDE INSPECTION

▲ WARNING

*** If the Pre-ride Inspection is not performed, severe personal injury or vehicle damage may result.**

Inspect your motorcycle every day before you ride it. The items listed here will only take a few minutes to inspect, and in the long run they can save time, expense, and possibly your life.

1. Engine oil level — add engine oil if required (page 29). Check for leaks.
2. Fuel level — fill fuel tank when necessary (page 26). Check for leaks.
3. Coolant level — add coolant if required. Check for leaks (pages 23 — 24).
4. Front and rear brakes — check operation; make sure there is no brake fluid leakage. (pages 17 — 20)

5. Tires — check condition and pressure (page 3).
6. Drive chain—check condition and slack (page 66). Adjust and lubricate if necessary.
7. Throttle — check for smooth opening and closing in all steering positions.
8. Lights and horn — check that the headlight, tail/stoplight, turn signals, indicators and horn function properly.
9. Engine stop switch — check for proper function (page 33).
10. Side stand ignition cut-off system— check for proper function (page 76).

Correct any discrepancy before you ride. Contact your authorized Honda dealer for assistance if you cannot correct the problem.