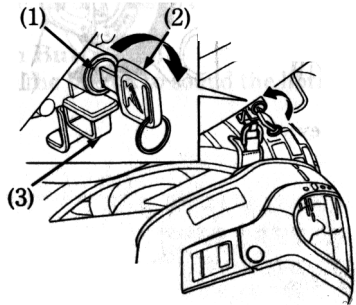


HELMET HOLDER

The helmet holder (1) is on the left side below the seat. Insert the ignition key (2) and turn it clockwise to unlock the holder. Hang your helmet on the holder pin (3). Turn the key counterclockwise to lock the holder and then remove the key.



(1) Helmet holder
(2) Ignition key
(3) Holder pin

▲WARNING

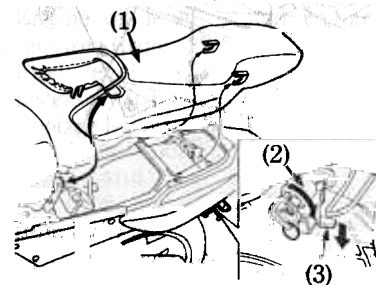
*** The helmet holder is designed for helmet security while parked. Do not ride with a helmet attached to the holder; the helmet may interfere with safe operation and result in loss of control.**

SEAT

To remove the seat (1), Insert the ignition key into the helmet holder (2), turn it clockwise and pull the seat lock lever (3) downward. Pull the seat back and up. To install the seat, insert the prong into the recess under the frame cross member and then push down on the rear of the seat.

CAUTION:

*** Be sure to securely lock the seat after reinstalling it.**



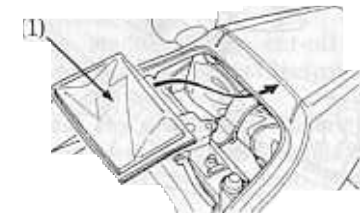
(1) Seat
(2) Helmet holder
(3) Seat lock lever

DOCUMENT COMPARTMENT

The document compartment (1) is under the seat.

This owner's manual and other documents should be stored in the compartment.

When washing your motorcycle, be careful not to flood this area with water.



(1) Document compartment