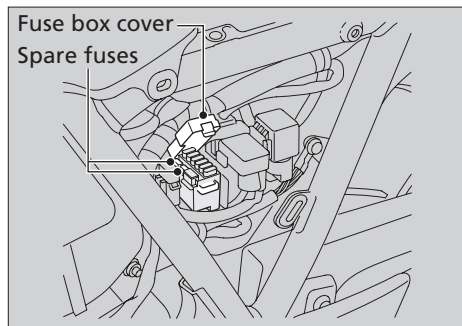


## Electrical Trouble ► Blown Fuse

### Blown Fuse

Before handling fuses, see “Inspecting and Replacing Fuses.” ►P.37

#### ! Fuse Box Fuses (CB400)



1. Remove the left side cover. ►P.46
2. Open the fuse box cover.
3. Pull out the fuses one by one to check for a blown fuse. Always replace a blown fuse with a spare of the same rating.
4. Close the fuse box cover.
5. Install the left side cover.