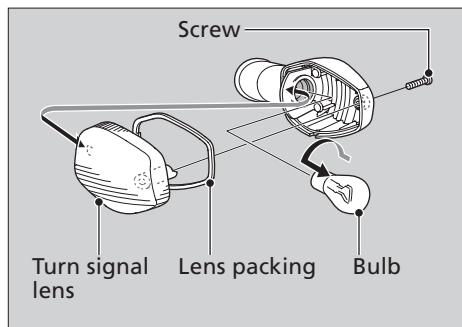


Electrical Trouble ► Burned-out Light Bulb

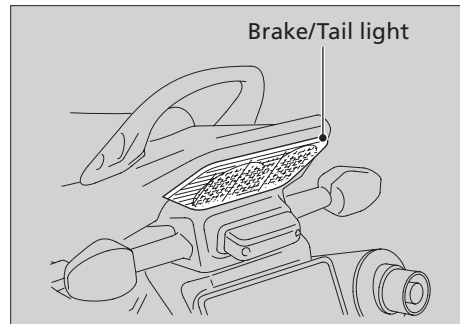
■ Front/Rear Turn Signal Bulb

1. Remove the screw.
2. Remove the turn signal lens and lens packing.
3. Slightly press the bulb and turn it counterclockwise.



4. Install a new bulb in the reverse order of removal.

■ Brake/Tail light



The brake and tail light uses several LEDs. If there is a LED which is not turned on, see your dealer for this service.