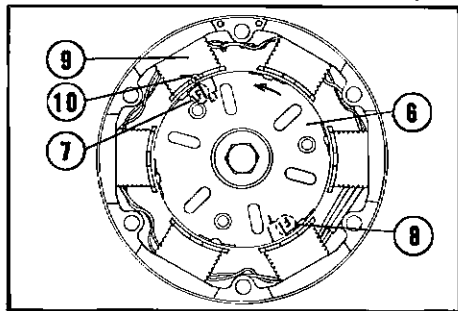


## Ignition Timing

Check ignition timing upon completion of the contact breaker point gap adjustment.

1. Turn the generator rotor ⑥ counterclockwise until the "LF" timing mark on the rotor aligns with the index mark ⑩ on the generator stator ⑦.

If left cylinder ignition timing is correct, the left breaker points will just



⑥ Generator rotor

⑧ "F" mark

⑦ "LF" mark

⑨ Generator stator

⑩ Index mark

begin to open as these marks align.

### NOTE:

Static ignition timing may be checked with a 12V-3W continuity light. When connected as illustrated below, and the main switch in the "ON" position, the light will come on as the breaker points open.

Static timing is relatively accurate, but for best results a stroboscopic timing light should be used to check ignition timing in both retarded and full advanced positions.

