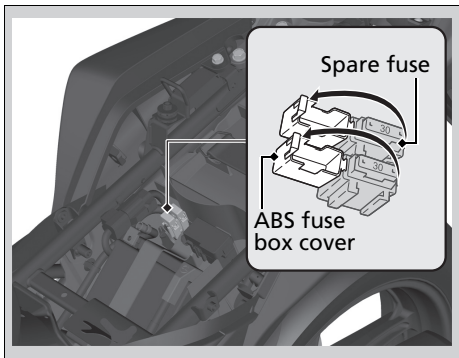


Electrical Trouble ► Blown Fuse

ABS Fuse



Troubleshooting

1. Remove the front seat. ► P. 50
2. Open the ABS fuse box cover.
3. Pull the fuse out and check for a blown fuse. Always replace a blown fuse with a spare of the same rating.
4. Close the ABS fuse box cover.
5. Reinstall parts in the reverse order of removal.