

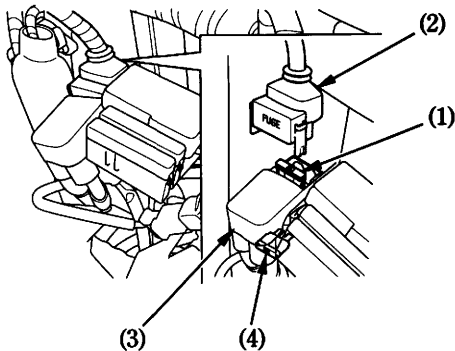
Main Fuse:

The main fuse (1) is located behind the left side cover.

The specified fuse is:

30A

1. Remove the left side cover (page 86).
2. Disconnect the wire connector (2) of the starter magnetic switch (3).
3. Pull out the old fuse and install a new fuse.
The spare main fuse (4) is located under the starter magnetic switch.
4. Reconnect the connector and install the left side cover.



- (1) Main fuse
- (2) Wire connector
- (3) Starter magnetic switch
- (4) Spare main fuse