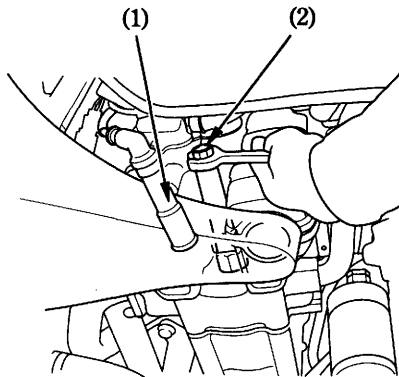


1. Remove the right and left side covers (page 86).
2. Raise the fuel tank (page 89).
3. Disconnect the spark plug caps (1) from the spark plugs.
4. Clean any dirt from around the spark plug bases.
Remove the spark plugs using a spark plug wrench (2) furnished in the tool kit.
5. Inspect the electrodes and center porcelain for deposits, erosion or carbon fouling. If the erosion or deposit is heavy, replace the plug. Clean a carbon or wet-fouled plug with a plug cleaner, otherwise use a wire brush.



- (1) Spark plug cap
(2) Spark plug wrench