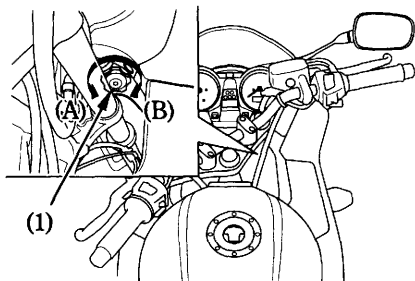


HEADLIGHT AIM VERTICAL ADJUSTMENT

CB1300S/SA

Vertical adjustment can be made by turning the knob (1) in or out as necessary. Obey local laws and regulations.



(1) Knob

(A) Up

(B) Down

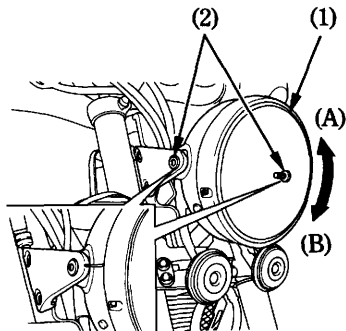
CB1300/A

Vertical adjustment can be made by moving the headlight case (1) as necessary.

To move the headlight case, loosen the bolts (2).

Tighten the bolts after adjustment.

Obey local laws and regulations.



(1) Headlight case

(A) Up

(2) Bolts

(B) Down