



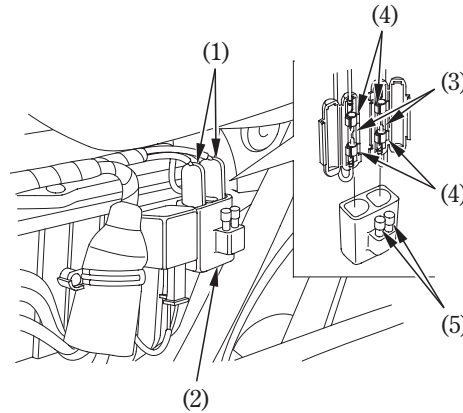
#### Fuse Holder:

The fuse holders (1) are located behind the left side cover.

The specified fuses are:

10A, 15A

1. Remove the left side cover (page 48).
2. Remove the fuse holder from the fuse holder cover (2).
3. Open the fuse holder and lift out the old fuse (3) with the clips (4).
4. Slide the old fuse out of the clips and discard it.
5. Slide the clips onto the ends of the spare fuse (5), push them back into the fuse holder, and close the fuse holder. The spare fuse is attached to the fuse holder cover.
6. Close the fuse holder and install it in the fuse holder cover.
7. Install the left side cover.



- (1) Fuse holders
- (2) Fuse holder cover
- (3) Old fuse
- (4) Clips
- (5) Spare fuse

Do not pry the clips open to get a fuse out; you could bend them and cause poor contact with the new fuse. A loose fuse could cause damage to the electrical system and even start a fire.

