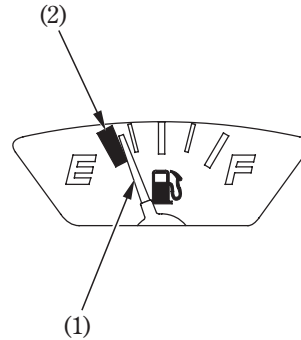




### Fuel Gauge

When the fuel gauge needle (1) enters the red band (2), fuel will be low and you should refill the tank as soon as possible. The amount of fuel left in the tank with the vehicle set upright when the fuel gauge needle enters the red band is approximately:

2.2 l (0.58 US gal , 0.48 Imp gal)



- (1) Fuel gauge needle
- (2) Red band

