

Main fuse:

The main fuse is located behind the right side cover. The specified fuse is:

30A

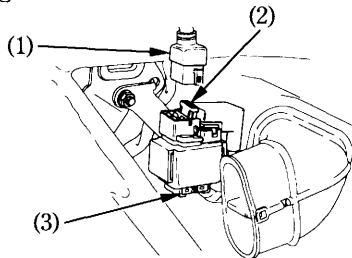
Remove the right side cover (page 37).

Disconnect the wire coupler (1) of the stator magnetic switch.

Pull out the old fuse (2) and install a new fuse.

The spare fuse (3) is located under the starter magnetic switch.

Reconnect the wire coupler and install the right side cover.



(1) Wire coupler

(2) Main fuse

(3) Spare main fuse

Fuse box:

The fuse box is located under the seat. The specified fuse are:

10A and 15A

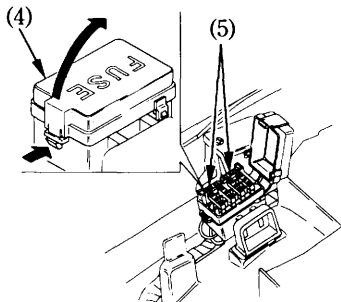
Remove the seat (page 36).

Remove the fuse box cover (4).

Pull out the old fuse and install a new fuse.

The spare fuses (5) are located in the fuse box.

Install the fuse box cover.



(4) Fuse box cover

(5) Spare fuses