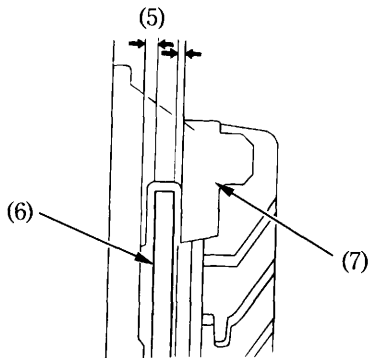


Measure the clearance (5) between each surface of the brake disc (6) and the caliper holder (7) with a 0,7 mm (0,028 in) feeler gauge (8) (see illustration).

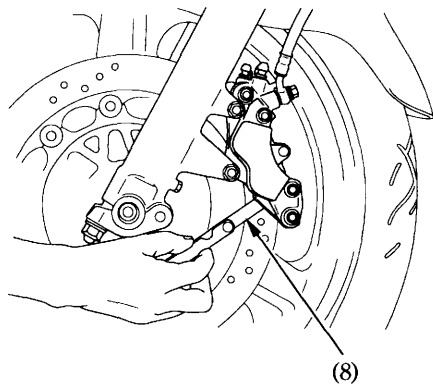


(5) Clearance
(6) Brake disc

(7) Caliper holder

▲WARNING

• If a torque wrench was not used for installation, see your authorized Honda dealer as soon as possible to verify proper assembly. Improper assembly may lead to loss of braking capacity.



(8) Feeler gauge