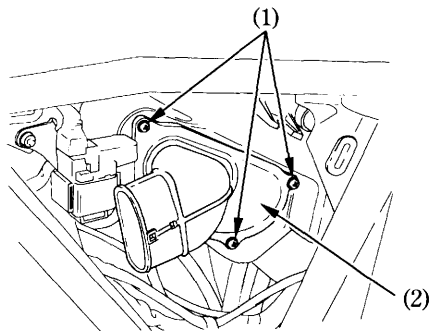


## AIR CLEANER

(Refer to the maintenance precautions on page 55).

The air cleaner should be serviced at regular intervals (page 50). Service more frequently when riding in unusually wet or dusty areas.

1. Remove the right side cover (page 37).
2. Remove the attaching screws (1) and air cleaner housing cover (2).

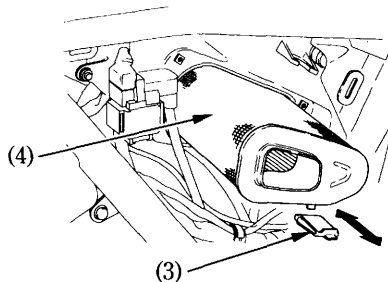


- (1) Attaching screws  
(2) Air cleaner housing cover

3. Pull the set spring (3) out.
4. Remove and discard the air cleaner (4).
5. Install a new air cleaner.

Use the Honda genuine air cleaner or an equivalent air cleaner specified for your model. Using the wrong Honda air cleaner or a non-Honda air cleaner which is not of equivalent quality may cause premature engine wear or performance problems.

6. Install the removed parts in reverse order of removal.



- (3) Set spring                      (4) Air cleaner