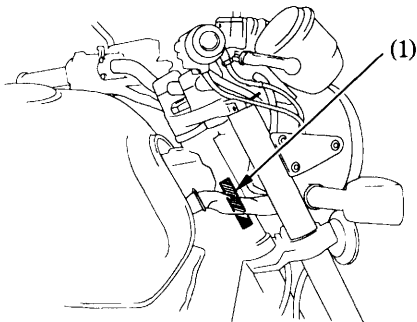


SERIAL NUMBERS

The frame and engine serial numbers are required when registering your motorcycle. They may also be required by your dealer when ordering replacement parts.

Record the numbers here for your reference.

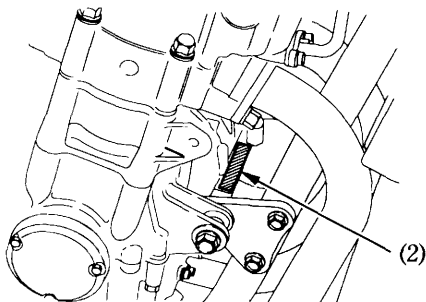
FRAME NO. _____



The frame number (1) is stamped on the right side of the steering head.

The engine number (2) is stamped on front of the crankcase.

ENGINE NO. _____



(2) Engine number

(1) Frame number