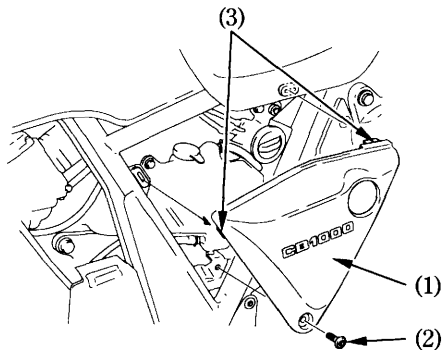


SIDE COVER

To remove the right and left side covers (1), remove the screws (2) and then pull out the side cover by releasing the tabs (3).

NOTE:

- * Do not pull on the side cover with the screw (2) installed.



- (1) Side cover
- (2) Screw

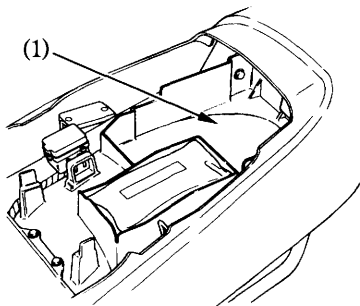
- (3) Retaining tabs

STORAGE COMPARTMENT

The storage compartment (1) is located under the seat.

This compartment is for light weight items. Do not carry more than 2.0 kg (4.4 lbs) in this compartment.

When washing your motorcycle, be careful not to flood this area with water.



- (1) Storage compartment