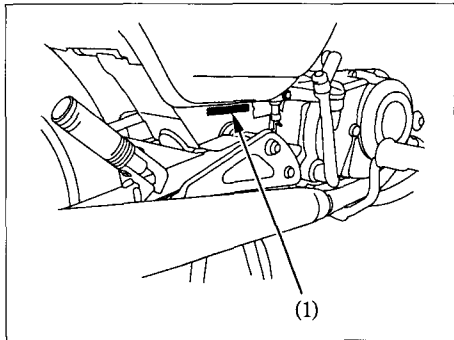


Serial Numbers

The frame and engine serial numbers are required when registering your motorcycle. They may also be required by your dealer when ordering replacement parts. Record the numbers here for your reference.

FRAME NO. _____

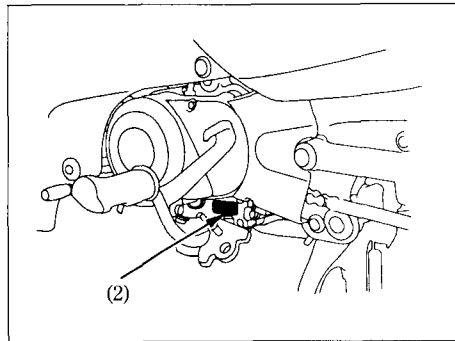


(1) Frame number

The frame number (1) is stamped on the right side of the frame body.

The engine number (2) is stamped on the lower left side of the crankcase.

ENGINE NO. _____



(2) Engine number