

## Headlight Switch

The headlight switch (1) is next to the left handlebar grip. Its operating positions are as follows:

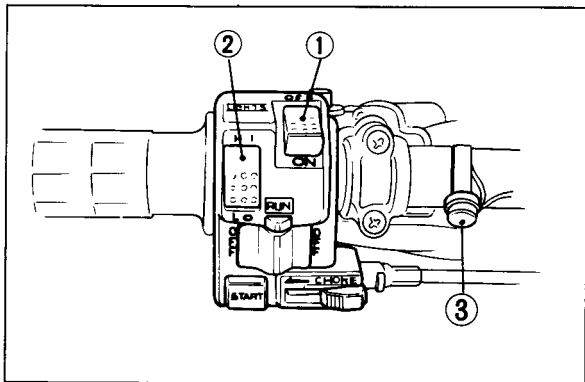
Position	Function
OFF	Headlight is off.
ON	Headlight is on.

## Headlight Dimmer Switch

Turn the headlight dimmer switch (2) to HI to select high beam or to LO to select low beam.

## Horn button

Press the button (3) to sound the horn.



- (1) Headlight switch    (2) Headlight dimmer switch  
(3) Horn button