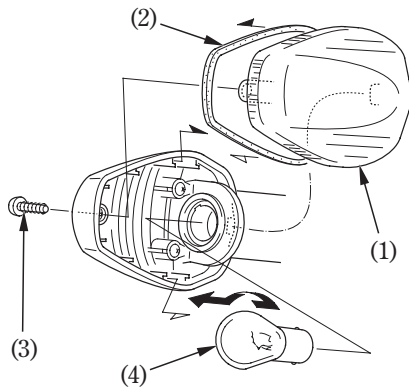


## Rear Turn Signal Bulb

1. Remove the rear turn signal lens (1) and the lens packing (2) by removing the screw (3).
2. Remove the bulb (4) by pressing in and turning counterclockwise.
3. Install a new bulb and check that the light operates properly.



- (1) Rear turn signal lens
- (2) Lens packing
- (3) Screw
- (4) Bulb