

Indicators

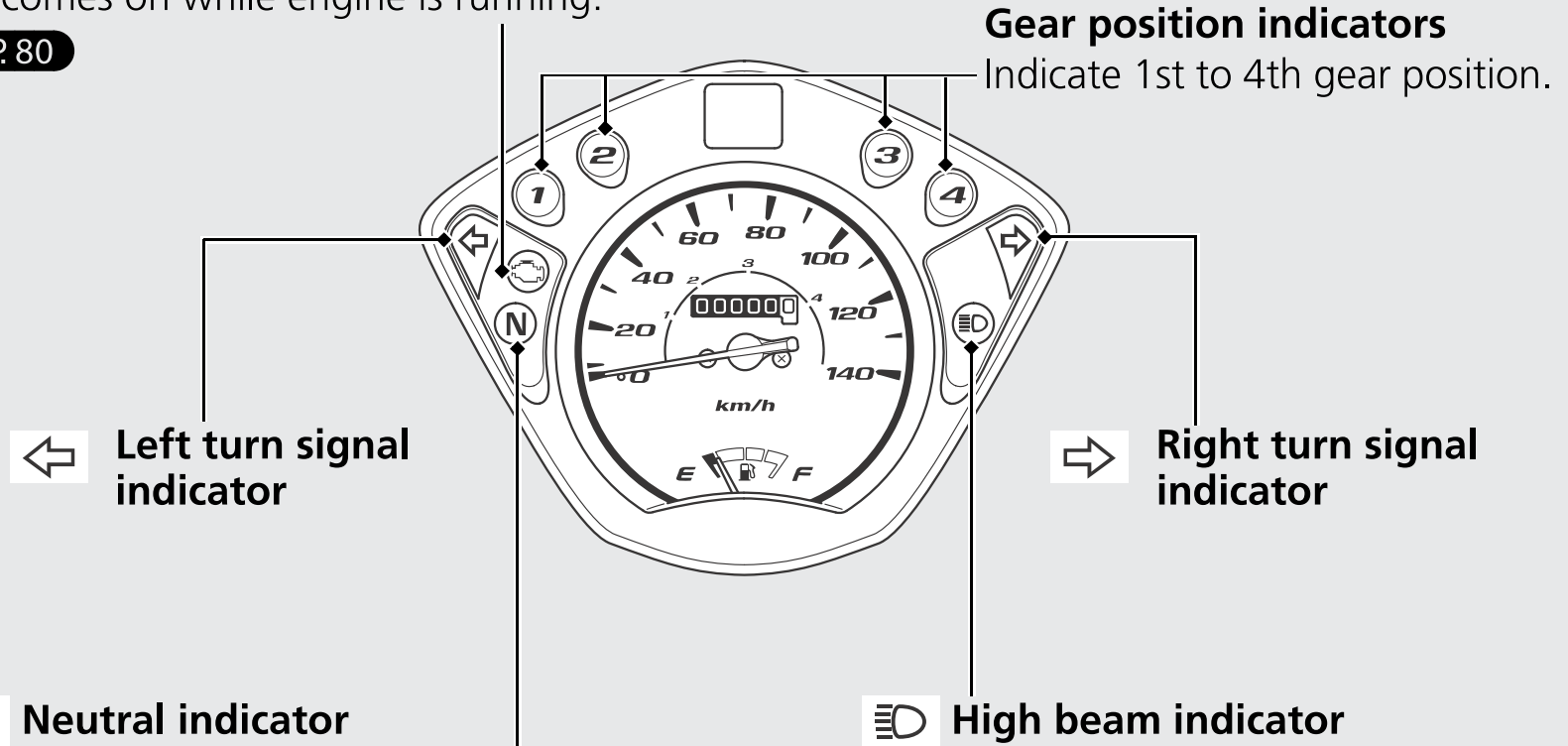


PGM-FI (Programmed Fuel Injection) malfunction indicator lamp (MIL)

Comes on briefly when the ignition switch is turned on.

If it comes on while engine is running:

➔ P. 80



N Neutral indicator

Comes on when the transmission is in Neutral.