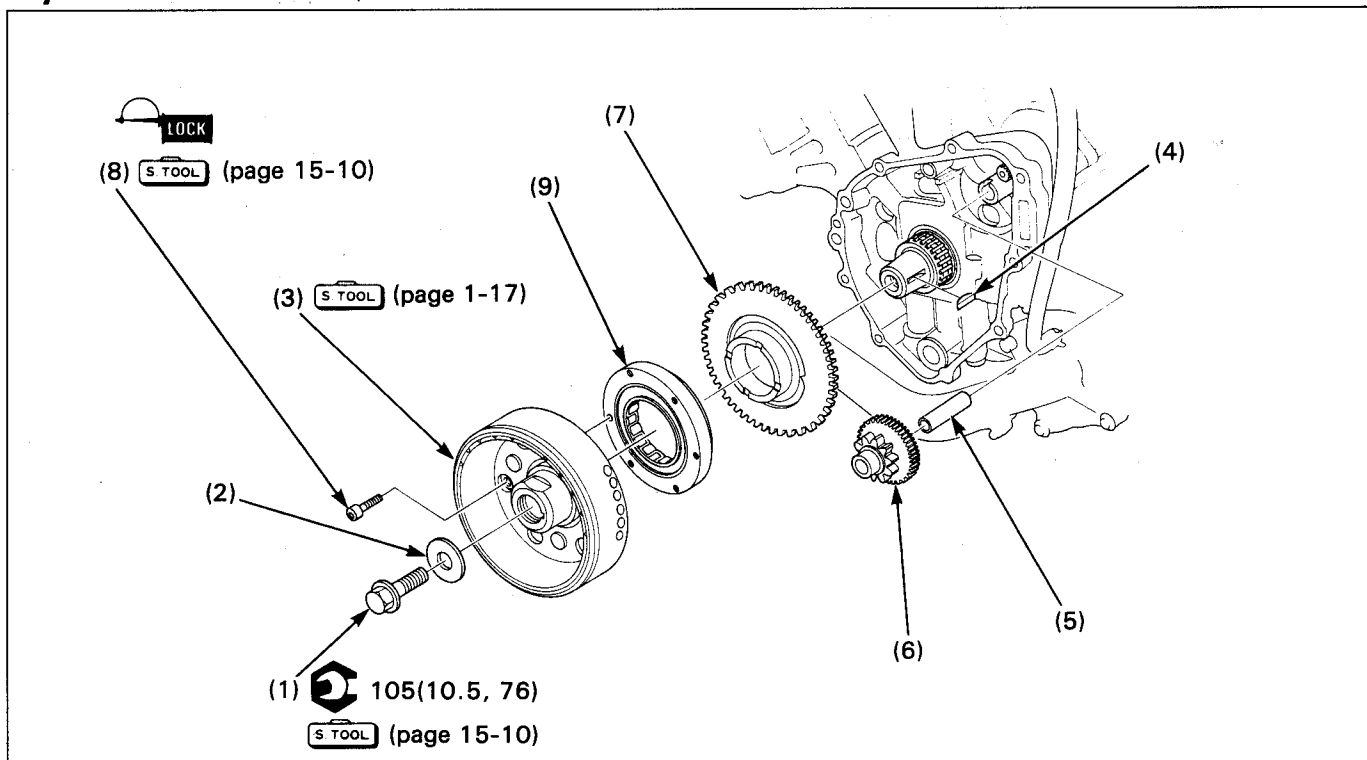


Flywheel Removal/Installation



Requisite Service

- Left crankcase cover removal/installation (page 15-8)

Procedure	Q'ty	Remarks
Removal Order		Installation is in the reverse order of removal. Refer to page 15-10 for removal and installation.
(1) Flywheel bolt	1	Before installing, wipe any oil off the mating surfaces of the crankshaft and flywheel.
(2) Washer	1	
(3) Flywheel	1	
(4) Woodruff key	1	
(5) Starter idle gear shaft	1	
(6) Starter idle gear	1	
(7) Starter driven gear	1	Remove and install the starter driven gear turning it counterclockwise.
(8) Starter clutch bolt	6	Refer to page 15-10 for removal and installation.
(9) Starter clutch	1	