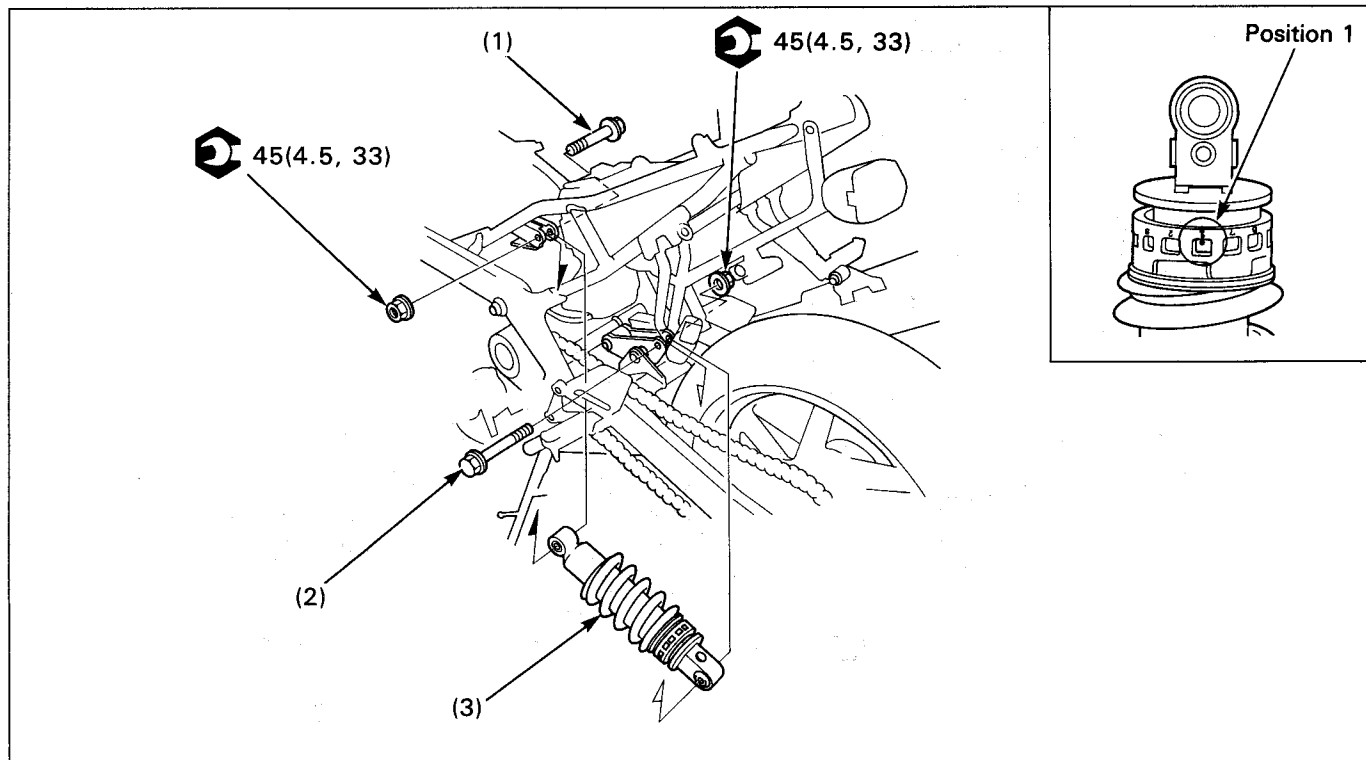


Shock Absorber Removal/Installation



NOTE

- Put the motorcycle on its center stand.
- If you plan to disassemble the shock absorber, adjust the shock absorber to position 1 (for lightest loads) before removing the shock absorber from the frame.

Requisite Service

- Side cover removal/installation(page 2-2)
- Rear fender B removal/installation(page 2-7)

Procedure	Q'ty	Remarks
Removal Order		Installation is in the reverse order of removal.
(1) Shock absorber mounting bolt (upper)	1	Install the bolt from the right side.
(2) Shock absorber mounting bolt (lower)	1	Install the bolt from the left side.
(3) Shock absorber assembly	1	Install the shock absorber assembly with the rebound damping adjuster facing right side.