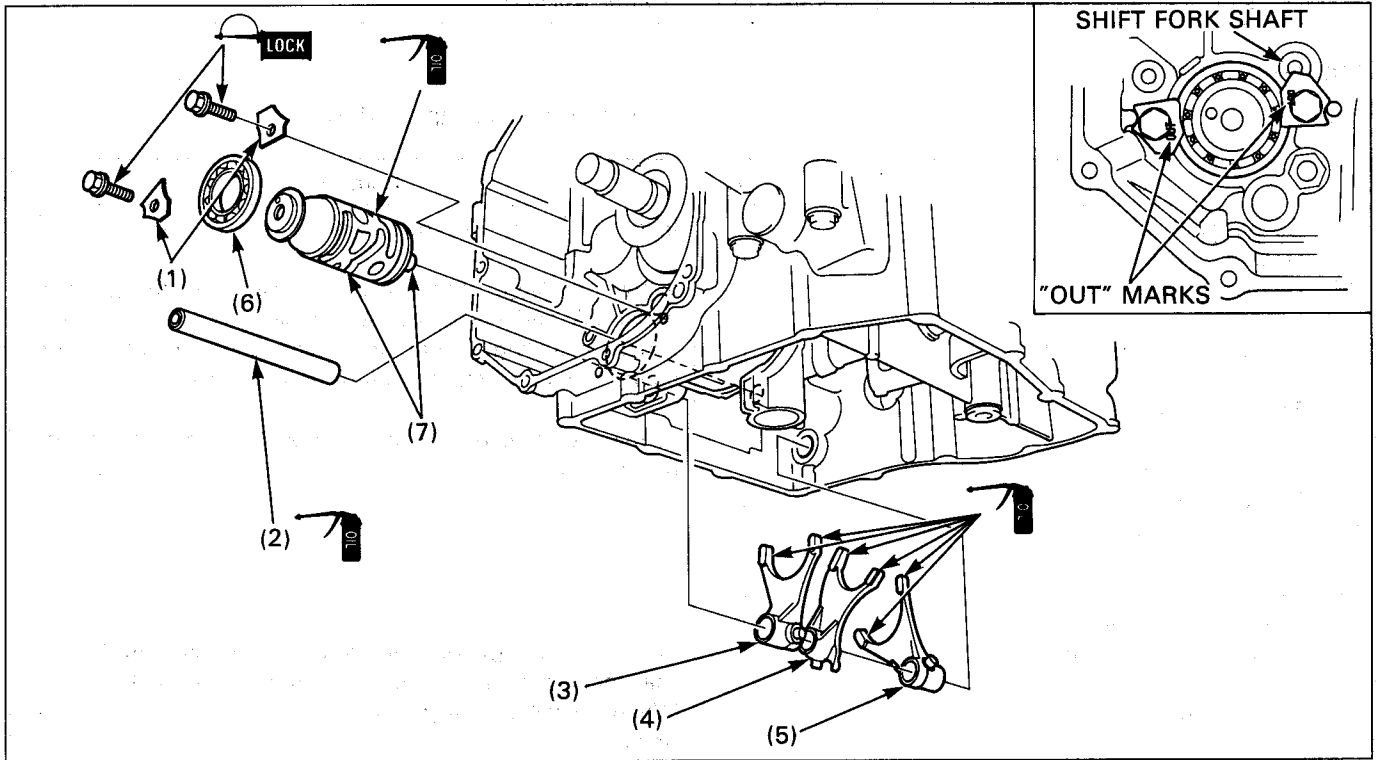


# Shift Drum/Shift Forks Removal/Installation



### Requisite Service

- Gearshift linkage removal/installation (page 9-8)
- Oil pan removal (page 4-3)

Procedure	Q'ty	Remarks
(1) <b>Removal Order</b> Shift drum bearing set plate	2	Installation is in the reverse order of removal. <b>NOTE</b> • Install the set plates with the "OUT" mark facing out. • install one set plate so that it comes over the shift fork shaft bore to retain the shaft.  Refer to page 9-11 for installation.
(2) Shift fork shaft	1	
(3) Right shift fork	1	
(4) Center shift fork	1	
(5) Left shift fork	1	
(6) Shift drum bearing	1	
(7) Shift drum	1	