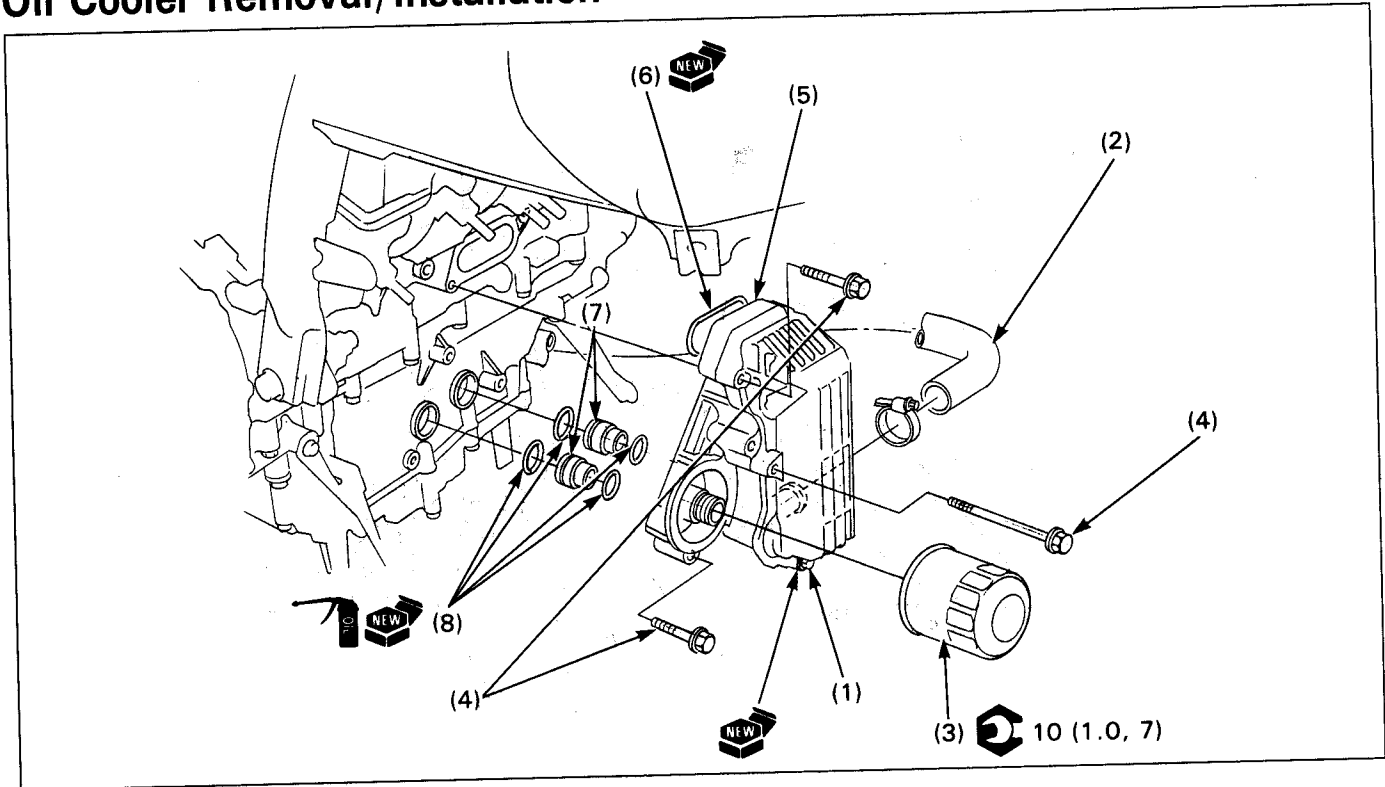


Oil Cooler Removal/Installation



Requisite Service

- Side fairing removal/installation (page 2-3)
- Engine oil draining/filling
- Coolant draining/filling (page 5-3)

Procedure	Q'ty	Remarks
Removal Order		Installation is in the reverse order of removal.
(1) Drain bolt/Sealing washer	1/1	
(2) Water hose	1	
(3) Oil filter element	1	
(4) Oil cooler mounting bolt	4	
(5) Oil cooler assembly	1	
(6) O-ring	1	
(7) Joint collar	2	
(8) O-ring	4	