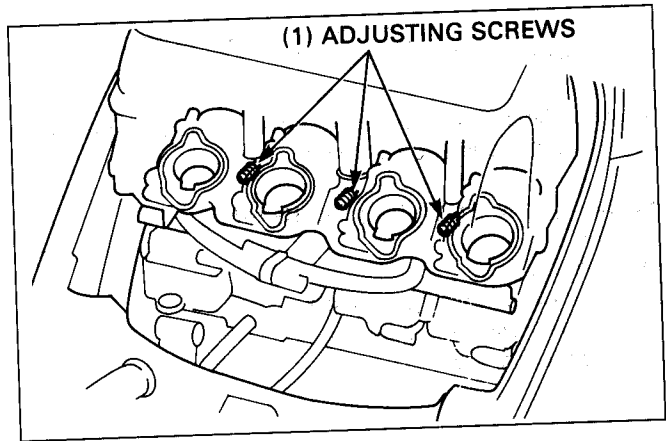


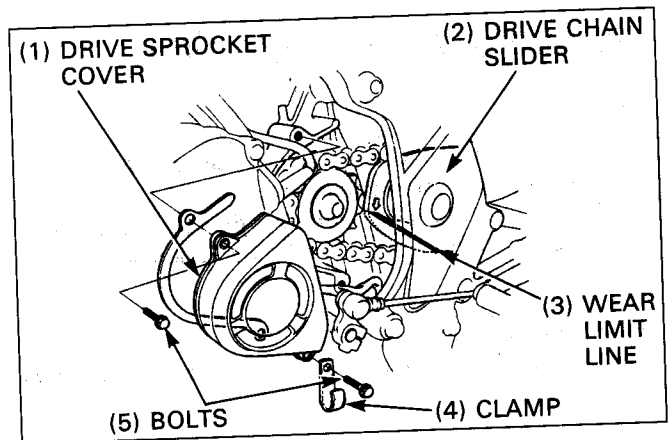
Maintenance

Synchronize the carburetors by turning the adjusting screws.



Drive Chain Slider

Remove the left side fairing (page 2-3).
Remove the bolts, clamp and drive sprocket cover.
Check the drive chain slider for wear.
The chain slider must be replaced if it is worn to the wear limit line.
Refer to page 13-12 for replacement.



Side Stand

Check the side stand ignition cut-out system:

- Place the motorcycle on its center stand and raise the side stand.
 - Start the engine with the transmission in neutral, then shift the transmission into gear with the clutch lever squeezed.
 - Move the side stand down fully.
 - The engine should stop as the side stand is lowered.
- If there is a problem with the system, check the side stand switch (Section 18).

Check the side stand switch mounting bolts for looseness.

