

## Air Cleaner Case Drain Tube

The air cleaner case drain tube (Fig. 4-7) should be serviced in accordance with the Maintenance Schedule. If deposits can be seen in the drain tube, the tube must be cleaned before starting the vehicle.

To clean the drain tube:

1. Remove the drain tube (1) by removing the clip (2).
2. Drain the deposits.
3. Reinstall the drain tube, securing it with the clip.

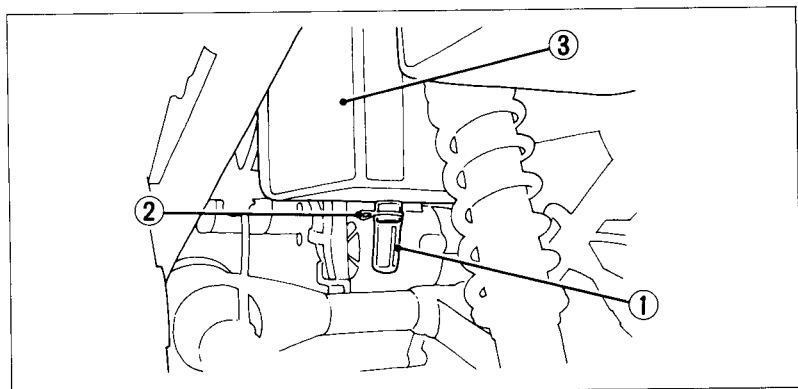


Fig. 4-7

(1) Drain tube

(2) Clip

(3) Air cleaner case