

Starting Primer Knob

The starting primer knob (Fig. 2-8) is on the carburetor float bowl on the left side of the TRX300FW. To start the engine when air temperature is below -15°C (5°F), push the knob in once or twice before pressing the starter button.

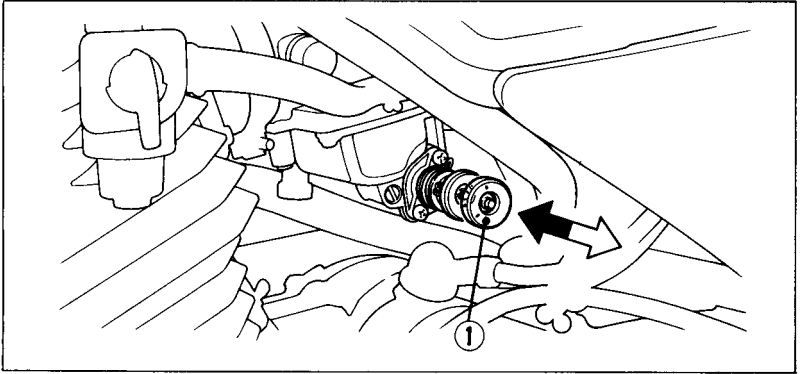


Fig. 2-8

(1) Starting primer knob

Starter Button

The starter button (Fig. 2-9) is below the engine stop switch. To start the engine, press the starter button (1), with the transmission in neutral, the ignition switch ON and the engine stop switch at RUN.

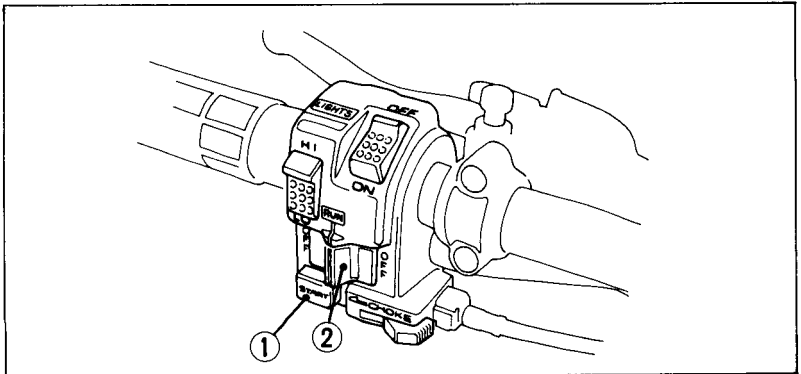


Fig. 2-9

(1) Starter button

(2) Engine stop switch